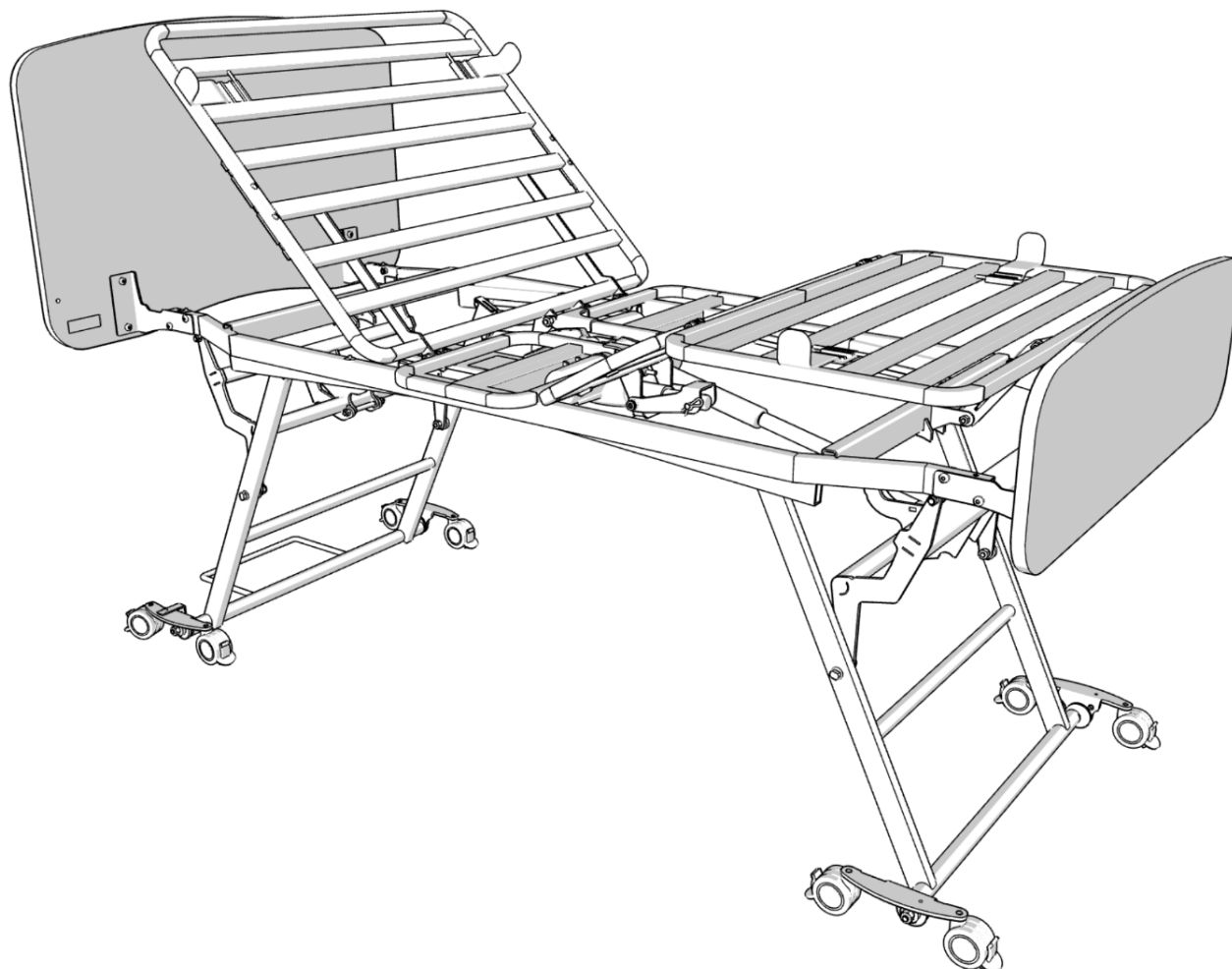


CONTESA




Contesa Instruction Manual

IFU-FL8-001US REV 01

NOV 2024

Accora

Contents

Title	Page
Product Overview -----	3
 General Warnings -----	4
1. Means of Delivery -----	5
2. Safety Instructions -----	5
3. Use Environments -----	5
4. Intended Use -----	5
5. Technical Specification -----	6
6. Accessories -----	6
7. Electrical Specification -----	7
8. Assembly -----	7
9. Bed Controls and Indicators -----	13
10. Floor-level Function -----	15
11. Length Adjustment -----	15
12. Legrest level adjustments -----	15
13. Using the Castor Brakes -----	16
14. Functionality Check -----	16
15. Mattress Selection -----	17
16. Siderail Selection -----	17
17. Moving and Repositioning -----	18
18. Cable Routing for Mattress Pump -----	18
19. Cleaning and Disinfection -----	18
20. Troubleshooting -----	19
21. Storage -----	20
22. Daily Inspection -----	20
23. General Maintenance -----	20
24. Guarantee -----	21
25. Disposal -----	21
26. EMC Statement -----	22
27. Table of Symbols -----	26
28. Contact Details -----	27

Welcome

Dear Customer,

Thank you for purchasing an Accora healthcare product. Before operating the bed, you **MUST** read and understand all the instructions in this manual. All actions and handling of the bed **MUST** be performed in accordance with the instructions in this manual. Ensure that the manual is available to users and operators throughout the bed's service life. If you need further information, please contact us. See Section 28 for region specific contact details.

General

In the US, the Contesa bed is classified as a Class 2 Medical Device.

The Contesa bed is classified as a Class 1 Medical Device in accordance with the Medical Device Regulation 2017/745.



Notice to User

If a serious incident occurs in relation to this medical device, affecting the user or the patient, then the user or patient should report the serious incident to the medical device manufacturer (or distributor).

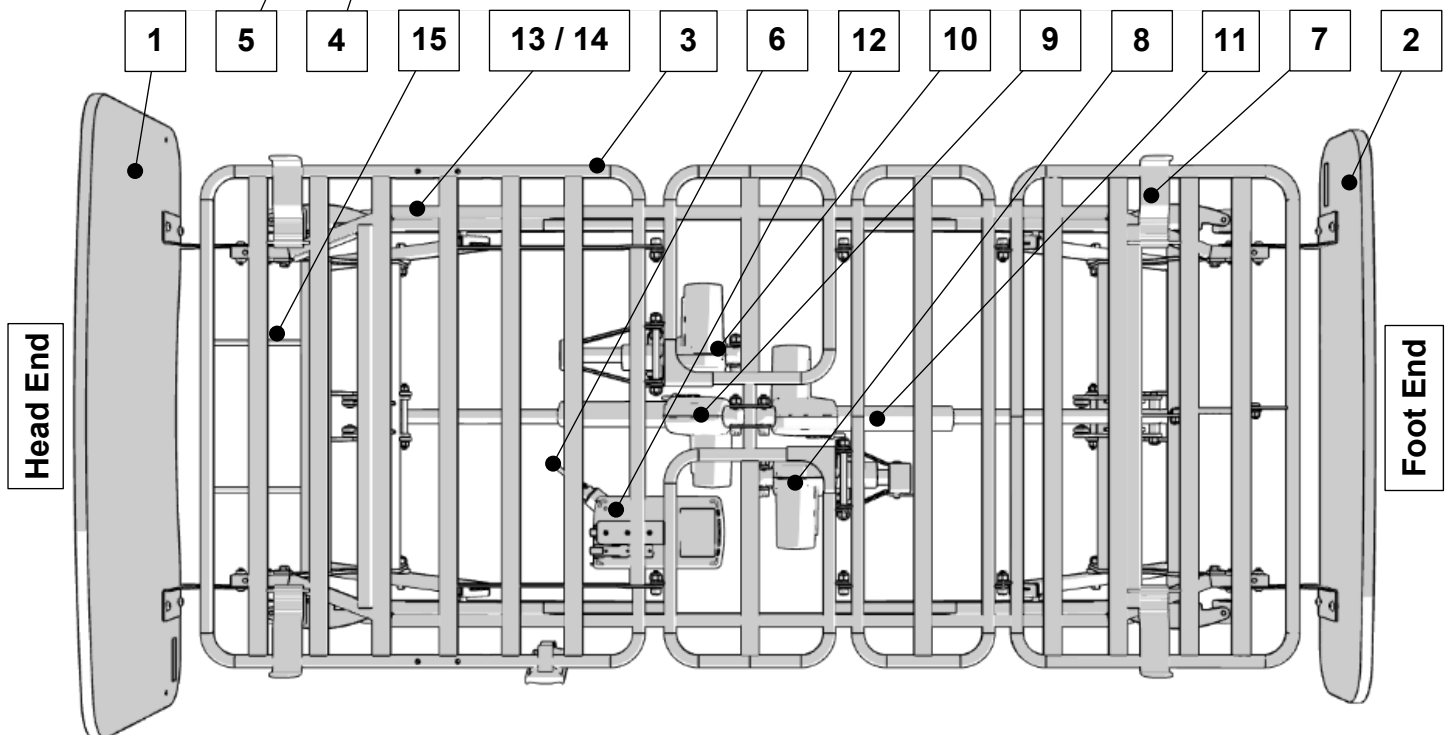
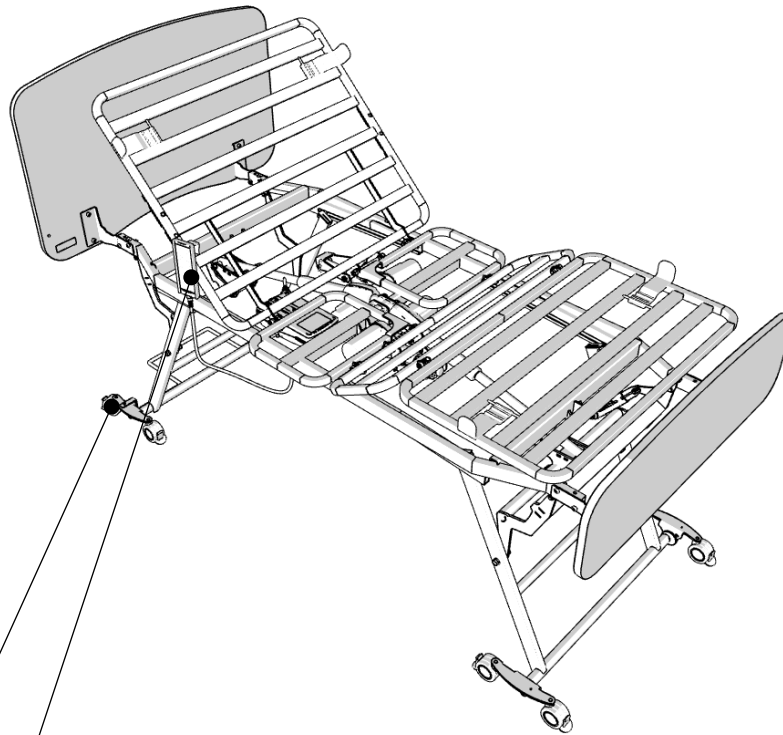


Accora Ltd, 38 Main Street,
Swords, Co. Dublin, Ireland, K67 E0A2
T: +353 (0)1 695 0614

Design Policy and Copyright

® and ™ are trademarks belonging to Accora Ltd unless otherwise stated. As our policy is one of continuous improvement, we reserve the right to modify designs without prior notice. © Accora Ltd 2024.

Product Overview



- | | | |
|----------------------|-----------------------------------|-----------------------------|
| 1. Headboard | 7. Mattress Guides x4 | 13. UDI Label |
| 2. Footboard | 8. Legrest Actuator | 14. Manufacturers Nameplate |
| 3. Mattress platform | 9. Main Lift Actuator – Head End | 15. Wall bar |
| 4. Handset | 10. Backrest Actuator | |
| 5. Braked Castors x8 | 11. Main Lift Actuator – Foot End | |
| 6. Power Cable | 12. Control Box | |



General Warnings -----

1. Keep this Instruction Manual available for future reference.
2. These instructions **MUST** be observed to ensure the safe and effective use of this bed and the safety of users and caregivers.
3. This bed **MUST** be assembled, positioned, and used in accordance with these instructions.
4. The safety features for operating the bed and instructions concerning the bed **MUST** be strictly observed.
5. This bed **MUST NOT** be exposed to smoke, naked flame, extreme temperature, flammable gases or other hazardous substances or situations.
6. Do not smoke in or around the bed.
7. Accora shall not be held liable for any damage, injuries or accidents arising from unauthorised modifications, non-genuine spare parts, negligence or use that is at variance with this manual which can result in serious injury or death.
8. Electrical equipment can be hazardous if misused or abused. Ensure the electrical supply cable is not damaged by crushing and does not create a trip hazard.
9. Inappropriate routing of accessory cables (e.g., mattress air pump cable) could lead to dangerous electrical hazards if squeezed or crushed between moving parts. The bed **MUST NOT** be used if there is any visible damage to any cables.
10. When routing cables for other electronic equipment used with the bed (e.g. air mattress pump), ensure cables cannot be squeezed, crushed or damaged by the moving parts on the bed.
11. Inappropriate use of the power supply cable (e.g. kinking, shearing) could lead to dangerous electric hazards. The bed **MUST NOT** be used if there is any visible damage to this cable.
12. The hand control should be positioned to avoid strangulation risk. Inappropriate use of the hand control (e.g. kinking, shearing) could lead to dangerous electric hazards. The bed **MUST NOT** be used if there is any visible damage to the handset or cable
13. Electrical installations **MUST** meet local requirements.
14. Only use siderails, and other accessories, that are compatible with this bed as supplied by Accora. Incompatible siderails and accessories can create hazards and entrapment risks.
15. Keep children and pets away from this bed unless supervised by an adult, as there is a risk of injury and/or choking on small parts.
16. Never stand on the bed.
17. Never sit, stand or hang on the Legrest.
18. Do not lower the bed while a hoist that extends beneath the bed is being used. Hoist access is obtained when the bed is raised to 37cm measured from the floor to the mattress platform base.
19. The bed should be left in the floor-level position when the patient is unattended in order to reduce risk of injury due to falls.
20. If using the electronic functions adversely affects the health of the patient, disconnect the power supply and only use the bed in the static mode.
21. Do not move the bed when it is in the floor-level position.
22. This bed should not be used for transporting patients in vehicles.
23. This bed is not recommended for users outside of the weight and height specifications detailed in Section 4
24. Before operating this bed, ensure the patient is safely positioned to reduce the risks of bed fall and entrapment.
25. Always check for any entrapment risks under the bed before lowering to the floor-level position.
26. Patients, or users, should be risk assessed to ensure they are able to understand this manual and to operate the Contesa bed safely without risk to themselves or others.
27. If the combined weight of the mattress and accessories exceeds 35kg, the maximum patient weight **MUST** be reduced accordingly.
28. Exercise caution when moving the bed over door thresholds. The castors cannot traverse thresholds between rooms without being lifted.
29. In high ambient temperatures electrical enclosures (e.g., handset) may get warm during prolonged use.
30. When moving the bed, the power cable **MUST** be disconnected from the wall socket and secured on the bed to avoid damage to the cable.
31. Take care when moving the bed as the Wall Protection Bar may present a trip hazard.

1. Means of Delivery -----

The bed is supplied boxed with the electrical system fully assembled. The Headboard, Footboard, and any accessories are supplied separately.

Conduct an inspection upon receipt to ensure the delivery is complete and undamaged.

Report any missing parts, faults, or damage immediately to the carrier and Accora in writing.

If the bed needs to be transported between facilities, consider whether the headboard and footboard should be removed. Ensure manual handling guidelines are followed.

2. Safety Instructions -----

1. Before using the Contesa bed, you **MUST** read the instruction manual carefully and operate the bed according to the instructions.
2. Do not use the bed if any faults have been detected that could injure the patient, staff, others, or cause damage to the bed or its surroundings.
3. Only individuals who have read and understood this manual are qualified to operate the bed.
4. Operating staff **MUST** inform the patient of the control functions that apply to them, based on a professional assessment.
5. Operators should fully understand the bed and its functionality before use.
6. The safe working load specified in Section 5 **MUST** never be exceeded.
7. When a patient is on the bed, the castors **MUST** be locked to prevent movement, which could lead to injury if the patient leaves the bed or changes position.
8. Adjust the mattress platform to the correct height based on the patient's condition to ensure comfort and safety.
9. Only one person should occupy the bed at any time.
10. When operating the moving parts of the bed, ensure that patients, other people, and objects do not become trapped.
11. If a lifting pole or infusion stand is attached to the bed, take extra care during movement, lifting, or tipping to avoid damaging the equipment and ensure there is adequate space around it.
12. Before cleaning the bed, disconnect the

electrical supply to prevent electrical hazards.

3. Use Environments -----

This bed is designed for use in the following application environments:

1. Application Environment 3 - Long-term care in a medical area where medical supervision is required, and monitoring is provided if necessary. Medical Electrical (ME) equipment used in medical procedures may be provided to help maintain or improve the patient's condition. This includes use in nursing homes and in rehabilitation and geriatric facilities.
2. Application Environment 4 – Care provided in a domestic area where ME equipment is used to alleviate or compensate for an injury, disability, or disease.
3. Application Environment 5 - Outpatient (ambulatory) care provided in a hospital or other medical facility under medical supervision. ME equipment is provided for individuals with illness, injury, or disability for treatment, diagnosis, or monitoring.

Electrical installations **MUST** meet local requirements.

4. Intended Use -----

The Contesa bed is designed for use as a nursing bed in the listed environments. It is intended for adult patients with a physical size equal to or more than 146cm / 4 feet 9 inches, a mass equal to or more than 40kg / 88lbs but not exceeding the listed maximum patient weight and a body mass index (BMI) equal to or more than 17.

If the combined weight of the mattress and accessories exceeds 35kg/ 80 pounds, reduce the maximum allowable patient weight accordingly to ensure safe operation.

Subject to a risk assessment, the bed may help to maintain, improve, compensate for, or alleviate the patient's condition.

Conduct a risk assessment before using the bed with a patient.

5. Technical Specification-----

The table below lists the Contesa part numbers; some models may not be available in your region. Part numbers may be suffixed (EU, US, AU etc) to show regions.

Part number	Description
NSB-0-FL8-000	<ul style="list-style-type: none"> Mattress platform 200cm x 90cm – (36x80 inches)
NSB-W-FL8-000	<ul style="list-style-type: none"> Mattress platform 200cm x 105cm – (42x80 inches)
NSB-0-FL8-000, NSB-W-FL8-000	<ul style="list-style-type: none"> Four section profiling Height range 10cm - 74cm (3.9in – 29 inches) SWL 225kg (500lbs) Max user weight 190kg (420lbs) Eight braked castors Head and footboards supplied separately

Description	Value
Overall bed dimensions	NSB-0-FL8-000 900cm Wide, 2080cm Long* (40 inches Wide, 82 inches Long) NSB-W-FL8-000 1050cm Wide, 2080cm Long* (42 inches Wide, 82 inches Long)
Leg extensions available	4 Inches
Mattress size	See mattress selection – Section 15
Bed castors	6.5cm diameter x 8 braked
Mattress platform height	10cm - 74cm (3.9in - 29in)
Maximum trapeze self-assist pole lifting load	75kg (165lbs)

The safe working load is calculated according to IEC 60601-2-52 as follows:

Accessories	15kg	2 St	35 lbs
Mattress	20 kg	3 St	45 lbs
Maximum Patient Weight	190kg	30 St	420 lbs
Total Safe Working Load	225kg	35 St	500 lbs

Audible noise	<60 dBA		
Mass of Bed	NSB-0-FL8-000	60kg / 132lbs	
	NSB-W-FL8-000	72kg / 158lbs	
Trendelenburg function	Minimum 12 degrees		
Expected service life	Typically 10 years		

*These dimensions vary depending on the selected headboard and footboard.

Environmental information:

Operating Temperatures	+5°C to +40°C +41°F to +104°F
Transport and Storage Temperatures	-10°C to +50°C 14°F to +122°F
Relative Humidity	20% to 80% (Non- condensing)
Atmospheric pressure	700 hPa to 1060 hPa
Metres above sea level	Max. 3000 meters

If the bed is stored outside the normal operating range, allow time for it to stabilise in normal operating conditions before use.

The Contesa mattress platform range including maximum angles:

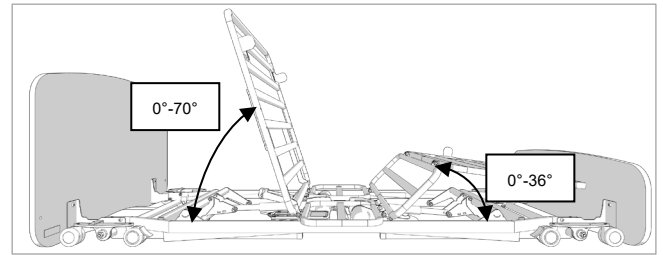


Figure 5.1

6. Accessories -----

The following accessories are compatible with the Contesa bed. However, due to differing regulatory requirements, not all accessories are available in all regions.

Description	Part number
Siderails	
Bed Levers	
Contesa Folding Bed Lever (Set of 2)	FDLEVKT-0-FL8-000
Standard Bed Lever Assist Bar. Includes mounting bracket. Fits Empresa / Contesa Left and Right	STLEV-0-FL6-000
Long Bed Lever Assist Bar Set, Left and Right. Includes Mounting Brackets. Fits Empresa / Contesa	STLEVLKT-0-FL6-500
Extensions	
*Contesa Mattress Platform Extension, 4in, US, Fits 36in FL8	LRPEX-0-FL8-500
*Contesa Mattress Platform Extension, 4in, US, Fits 42in FL8	LRPEX-W-FL8-500
Extension Foam	
Other	
FloorBed Mattress Infill, FB1, FB2, FB1-Plus, CB1 (Set of 2)	MTINF-0-FL1-000
Contesa Lifting Pole Kit. Fits FL8. Consists of: 1 x LIFOL-0-FL1-000 and 1 x LIFOLBKT-0-FL8-000	LIFOL-0-FL8-000
High Safety Mat, Empresa US, 10in High, 79 x 29.5in	SAFTH-0-FL6-500





*some parts not available in all regions

Note: the bed lever cannot be fitted at the same time as the fabric side rails.

7. Electrical Specification -----

Duty Cycle: Intermittent operation 2 min/18 min. After the maximum continuous action of two minutes, there **MUST** be a break of 18 minutes.

Description	Value
Supply voltage	110 – 240V
Supply frequency	50/60Hz
Power	223-285 VA
Degree of protection against liquid ingress	IP26
Degree of protection against electrical shock	Class II Double Insulated.

Symbol	Definition
	The BF symbol indicates that this product is protected against electric shock for type BF equipment
IP26	Degree of protection against liquid ingress.
	Do not dispose of in household waste.
	Degree of protection against electric shock: Class II Double Insulated.
	For indoor use only

For a full list and explanation of symbols used see Section 27 Table of Symbols.

8. Assembly -----



WARNING

Assembly **MUST** be carried out by suitably trained and qualified personnel.

All functions **MUST** be tested and approved after assembly by suitably trained and qualified personnel.

Assembly **MUST** take place in a clear, uncluttered area and children and pets should be kept away.

If bed has become soiled or contaminated during transit refer to cleaning and disinfection instructions.

Ensure headboard and footboard are assembled as shown below so that the Trendelenburg function works correctly.

The left and right of the bed are as seen by a person lying in the bed. See Figure 8.1 below:

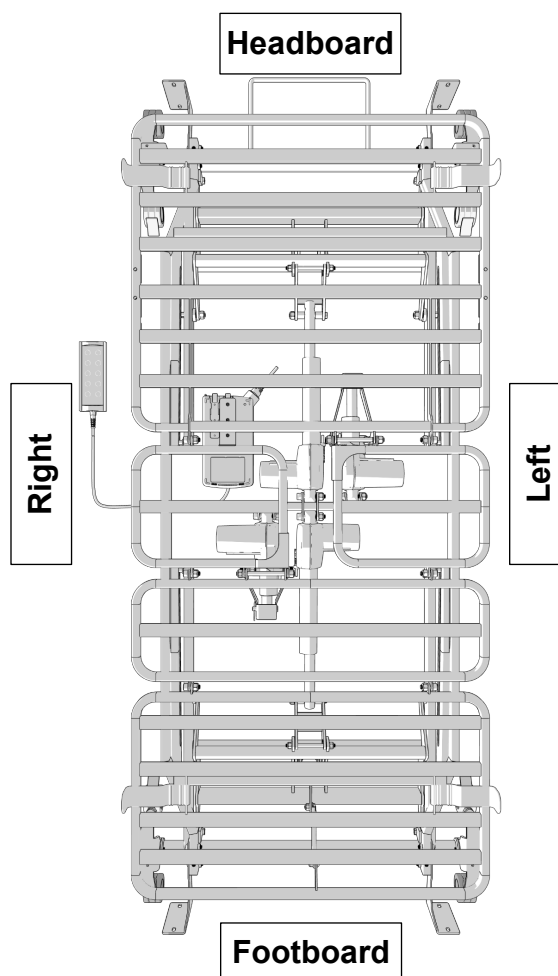


Figure 8.1

Check that the delivery is complete and whether any visible damage has occurred to the bed during transport.

Remove the packaging and identify all the components, for disposal of packaging see Section 25: Disposal.

1. Mattress Platform.
2. Handset.
3. Mattress Guides (x 4).
4. Headboard (packaged separately).
5. Footboard (packaged separately).
6. Headboard and footboard brackets and fixings (fixings not pictured)
7. 5mm Allen Key(Not pictured)
8. Wall Bar
9. 2 x M4 x 12mm Bolts (Not Pictured)
10. 2 x M4 Washers (Not Pictured)
11. 4mm Allen Key (Not pictured)

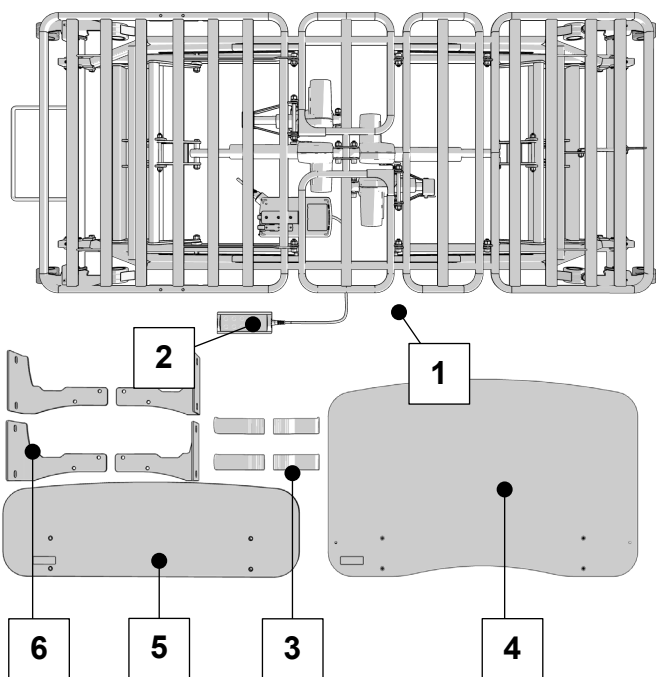


Figure 8.2

Connection to Mains supply

1. Connect the bed to a suitable mains supply socket.
2. Refer to Section 9 for Handset operations. Using the handset, raise the bed to the highest position with raised backrest and footrest, as shown in Figure 8.3

Assembly of Head and Footboards

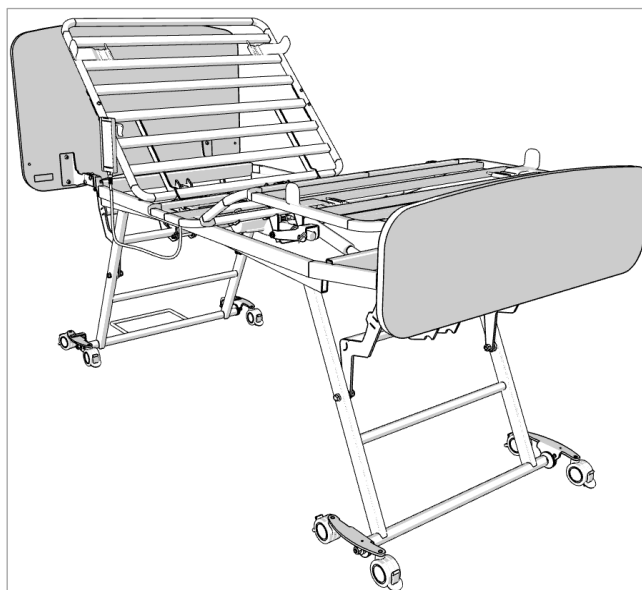


Figure 8.3

1. Referring to section 12. Using the Castor Brakes. Ensure all eight brakes are engaged.
2. The headboard and footboard fixing kit comprises the following items:
 1. 2 x left fixing brackets
 2. 2 x right fixing brackets
 3. 8 x M8 x 20 bolts
 4. 8 x M8 x 35mm bolts
 5. 16 x M8 washers
3. Identify left and right handed versions using Figure 8.4 below.

Note: The left and right-hand fixing brackets will have their orientation reversed depending on whether they are used at the head or foot of the bed.

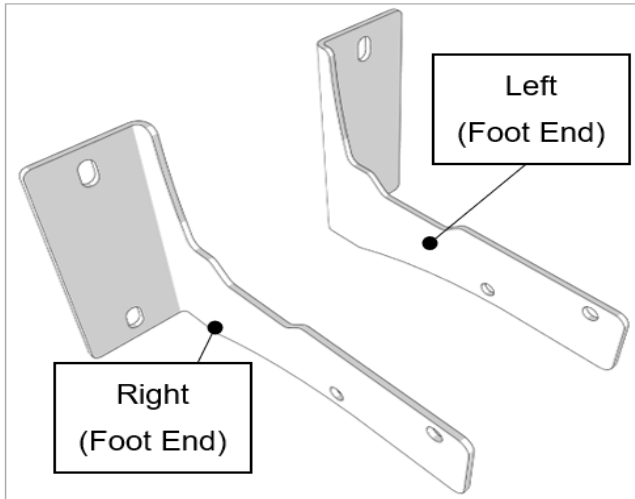


Figure 8.4

- Using four M8 x 35 bolts and four M8 Washers with the 5mm Allen Key attach the left and right fixing brackets to the bed frame, and tighten as shown in Figure 8.5 and Figure 8.6.

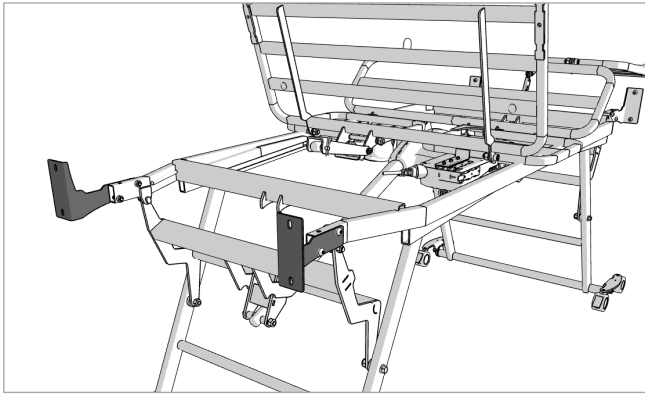


Figure 8.5

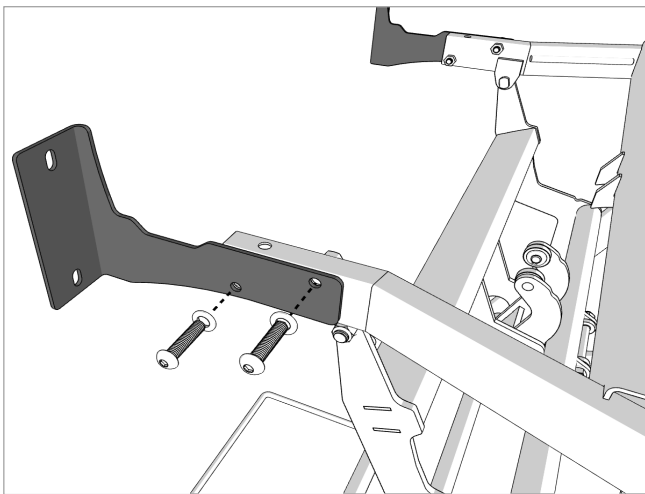


Figure 8.6

- Position the headboard onto the fixing brackets as shown in Figure 8.7.

Note: The headboard shown is the Scandi which includes notches for siderail fitment, not all headboard/footboards have this feature.

- Secure the headboard using four M8 x 20 bolts and four M8 washers with the 5mm Allen Key as shown in Figure 8.8.

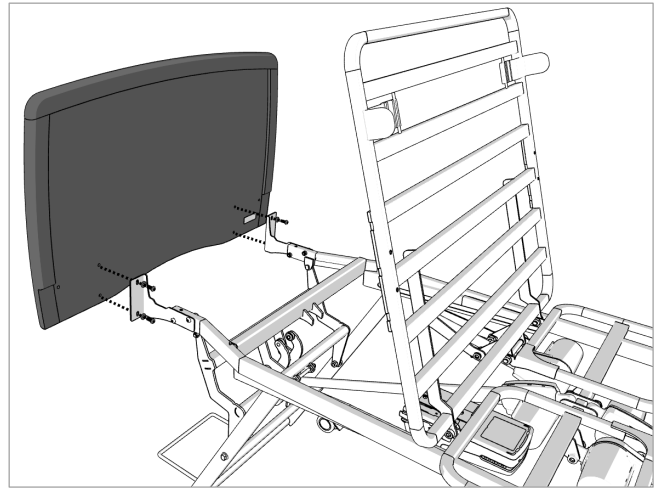


Figure 8.7 – Headboard Shown is Scandi. Fitment may vary slightly depending on specification.

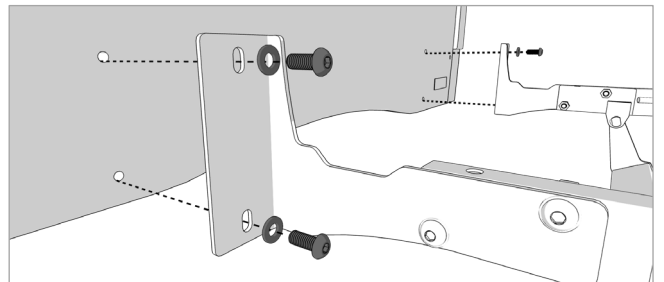


Figure 8.8

- Repeat steps 5 to 7 to fit the footboard as shown in Figure 8.9 and Figure 8.10

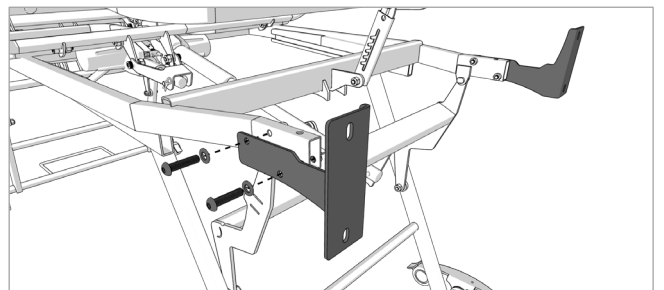


Figure 8.9

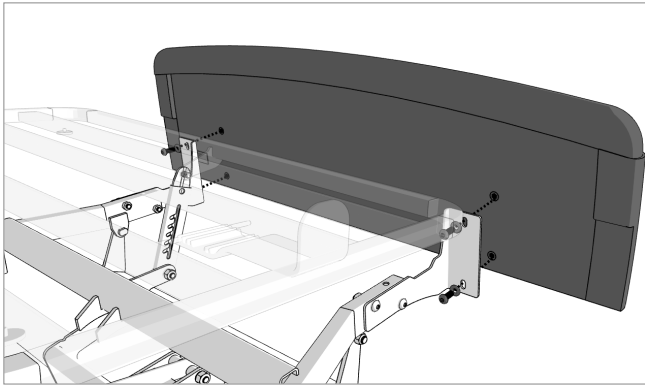


Figure 8.10 – Footboard Shown is Scandi, fitment may vary slightly depending on specification.

8. Ensure that all the headboard and Footboard bolts are tight and that the head and footboards are secure on the bed frame.

Assembly of the Wall Bar

The Wall Bar **Must** be installed to ensure adequate space between the Head of the bed and walls. The wall bar **MUST** be fitted to avoid the mains cable getting trapped, pinched or sheared.

The Wall bar fixing kit comprises of:

1. Wall Bar
2. 2 x M4 x 12mm Bolts
3. 2 x M4 Washers
4. 4mm Allen Key (Not pictured)



Figure 8.11

1. The Wall Bar is to be fitted at the Head end of the bed.

2. Position the bed in the raised position.

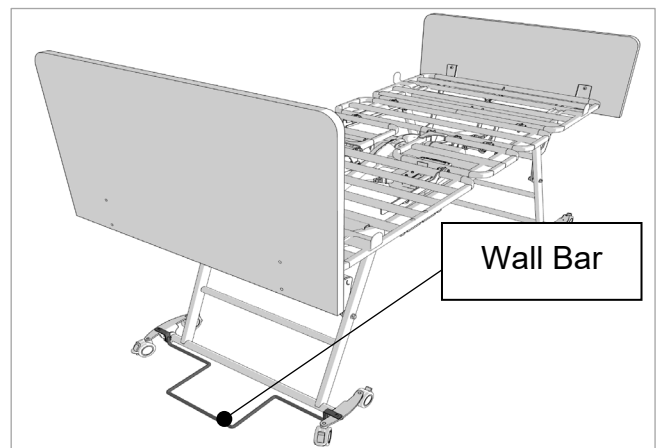


Figure 8.12

3. Insert the Wall Bar into the fixing hole in the Caster bracket. Ensuring the Mains cable is routed underneath the locating pin as illustrated in Figure 8.13 and Figure 8.14.

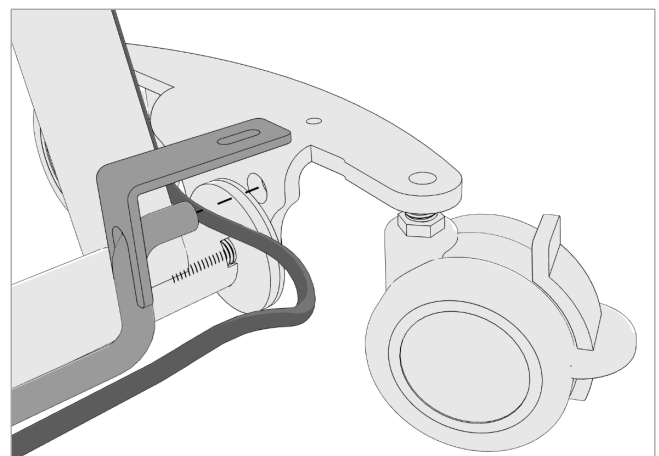


Figure 8.13

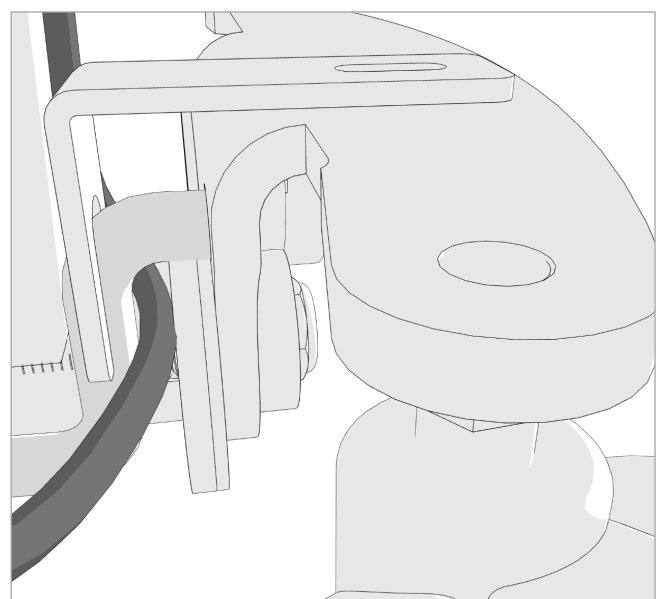


Figure 8.14

4. Repeat on the opposite side.

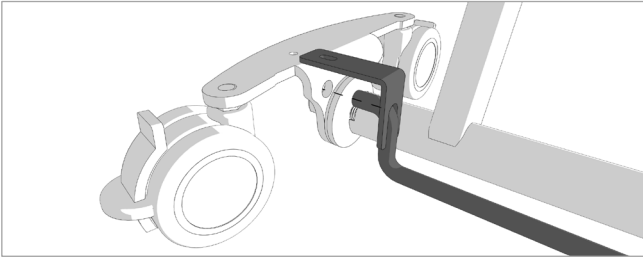


Figure 8.15

5. Using the 4mm Allen Key secure the 2 x M4 x 12 bolts on both sides, ensuring a washer is underneath the head of the bolt. As show in Figure 8.16.

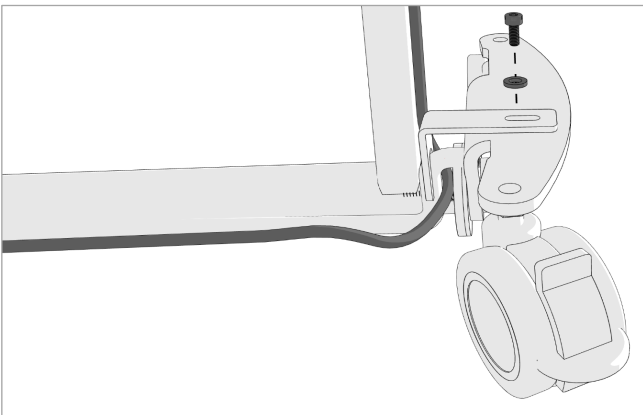


Figure 8.16

Routing of Handset wires

The Handset can be placed on either the right or left side of the bed. Make sure the cables are routed along the middle of the mattress platform. Careful consideration needs to be given to the cable route to ensure functionality is not compromised by crushing or shearing of cables from the bed mechanism.

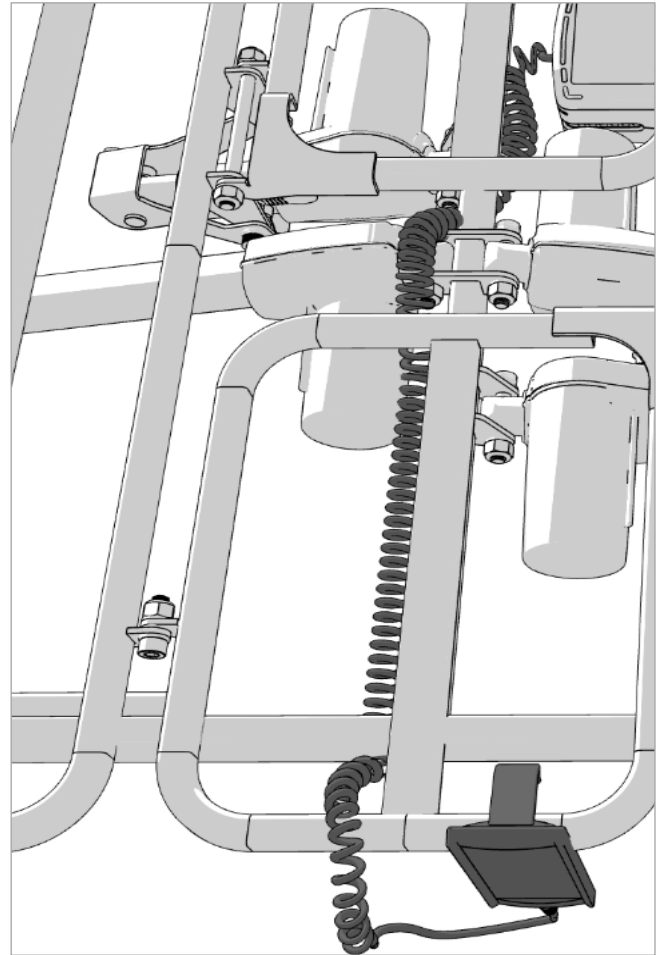


Figure 8.17

1. For routing on the Right hand side of the bed, the cable should be routed up and over the main lift actuator mounting point. As shown in Figure 8.18 and Figure 8.19.

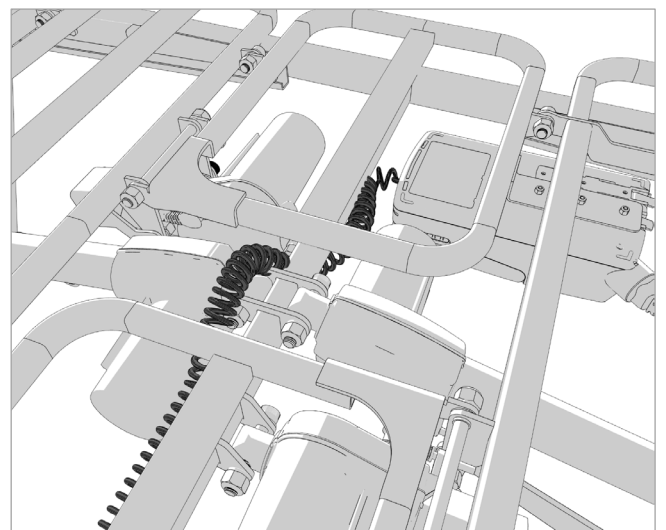


Figure 8.18

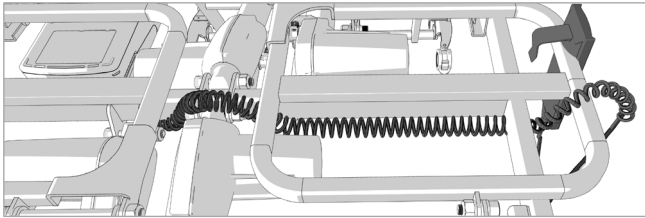


Figure 8.19

2. The Handset should then be passed up through the side of the mattress platform to keep the cable clear of the lift mechanisms. As shown in Figure 8.20.

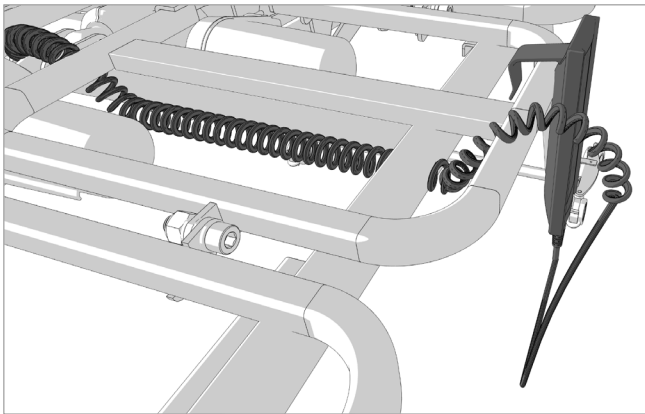


Figure 8.20

3. For routing on the Left hand side of the bed, the cable should be routed up and over the mattress platform. As show in Figure 8.21.

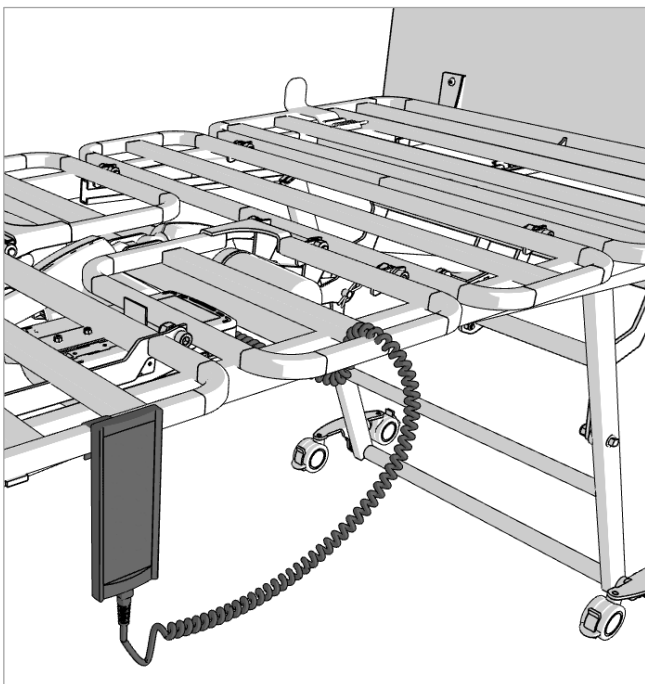


Figure 8.21

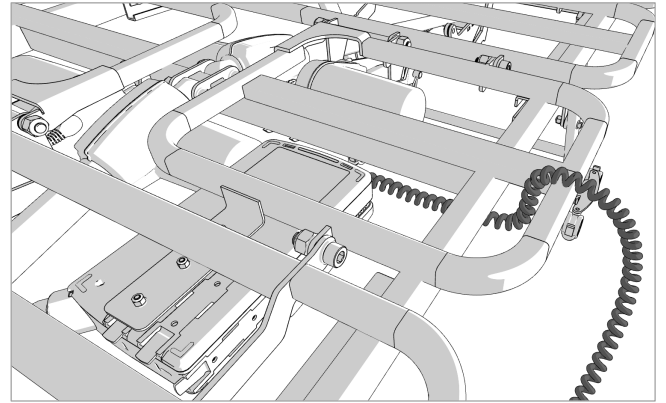


Figure 8.22

9. Bed Controls and Indicators-----



WARNING

Bed positioning **MUST** be carried out by suitably trained and qualified personnel. Patients should only operate the bed independently if they understand the safety instructions in this manual and have been assessed as appropriate to do so.

Ensure the braking system is locked before using the handset to change the positions of the bed. Always engage the braking system when the bed is stationary or left unattended.

Check for obstructions around, above, and below the bed frame, and position the bed so that it can operate through the full height range without any possibility of obstruction or entrapment.

The use of the Legrest function **MUST** be risk-assessed, as it may cause unintentional displacement when used with patients of smaller stature. Sharing the bed with a patient (particularly a child) carries the risk of lying on the patient and causing suffocation or the patient being wedged against the side of the bed.

The use of wedges and supporting or positioning devices may cause entrapment and pose a risk of suffocation. Smaller patients may need additional support to achieve a semi-Fowler's position.

Always store the handset in a safe place when not in use to avoid the risk of strangulation and entrapment in the bed mechanism, such as on the outside of the headboard or footboard.

The handset and cable **MUST** be kept out of reach of children. Extreme care **MUST** be taken when using the floor-level function. Always check for any entrapment risks and obstructions under the bed before and during the use of the floor-level function.

Keep children and pets away from the bed unless supervised by an adult. Patients, users, and operators **MUST** be risk-assessed and made aware of the risks to themselves and those around them before using the floor-level function of this bed.

Beware of trip hazards when the bed is in the floor-level position. Ensure patients' arms and hands are not in the pinch or trap zone while the bed is being profiled.

The handset is used by the user or caregiver to change the position of the Backrest and Legrest sections and to adjust the height of the mattress platform.

Always check for obstructions before raising or lowering the bed. Before using the controls, the operating staff should explain to the patient how the bed can be positioned.

If the medical staff state that the patient's medical condition makes it inappropriate for the patient to adjust the bed independently, the bed's position **MUST** only be adjusted by the caregiver, and the patient's handset **MUST** be locked.

The handset has the following controls:

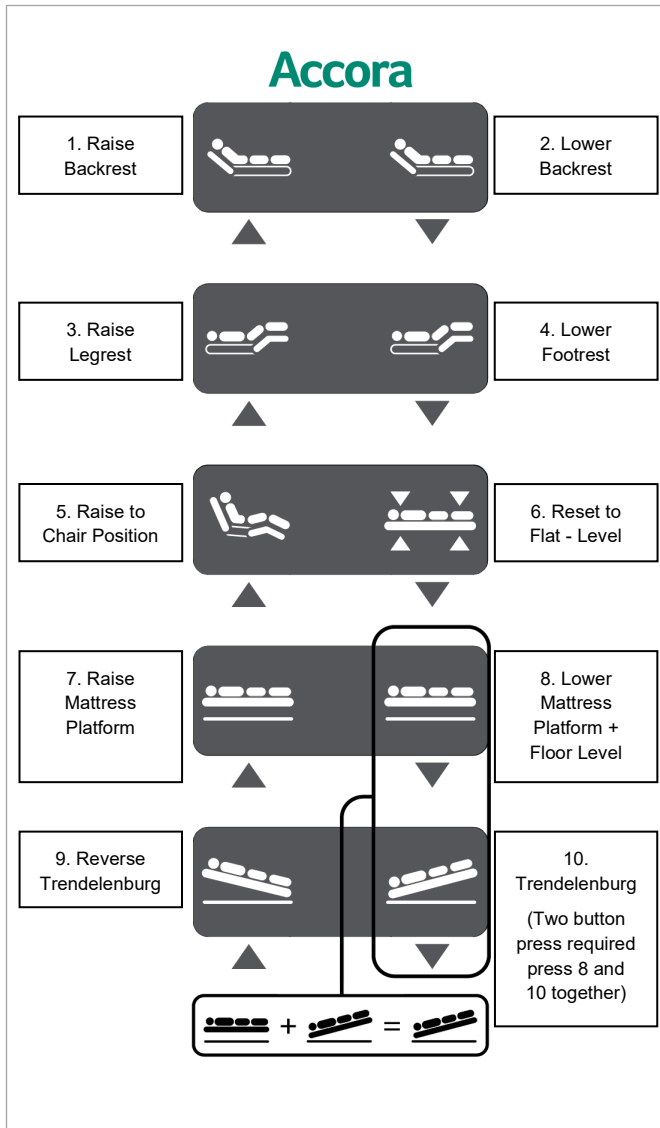


Figure 9.1

1	2	Backrest – Raise / Lower
3	4	Legrest – Raise / Lower
5	6	Chair Position – Raise / Reset to Flat + Level
7	8	Mattress Platform – Raise / Lower + Floor Level function
9	10	Reverse Trendelenburg / Trendelenburg

Note: If the patient is unable to operate the bed safely, lock the handset immediately after each use.

Handset Lockout Function:

To prevent unauthorised or accidental operation, the handset can be locked.

To **unlock** the handset, press buttons 1 and 10 together for 3 seconds. The handset will beep slowly to indicate that it is unlocked.

To **lock** the handset, press buttons 1 and 10 together for 3 seconds. The handset will beep quickly to indicate that it is locked.

Reset to Flat-and-Level Function:

The bed can be returned to a horizontal position, with the mattress platforms level, by pressing button 6 until the bed stops moving.

Chair Function:

To set the bed in the chair position, press button 5 to raise the backrest and footrest, the bed will then transition into Chair position.

Backrest:

Press button 1 to raise the backrest to a fully raised position.

Press button 2 to lower the backrest until flat.

Legrest:

Press button 3 to raise the footrest to a fully raised position.

Press button 4 to lower the footrest until flat.

Mattress Platform:

Press button 7 to raise the mattress platform to a fully raised position.

Press button 8 to lower the mattress platform to its lowest position at floor height.

Trendelenburg Function:

To set the mattress platform in the Trendelenburg position (head down), press buttons 8 and 10 together.

To set the mattress platform in the Reverse Trendelenburg position (head up), press button 9.

10. Floor-level Function -----



WARNING

Extreme care **MUST** be taken when using the floor-level function. Always check for any entrapment risks and obstructions under the bed before and during the use of the floor-level function.

Keep children and pets away from the bed unless supervised by an adult. Patients, users, and operators **MUST** be risk-assessed and made aware of the risks to themselves and those around them before using the floor-level function of this bed.

Beware of trip hazards when the bed is in the floor-level position.

The floor-level function lowers the mattress platform to a height of 10 cm above the floor. The bed can be lowered with the backrest and Legrest in any position.

To lower the bed to the floor-level position:

1. Check underneath the bed to ensure there are no obstructions or entrapment risks.
2. When lowering the bed, ensure the user or patient keeps their hands and legs away from the edge of the mattress and bed frame.
3. Press button 8 to lower the mattress platform. When the bed reaches the safety position (approximately 40 cm), it will continue to lower to the floor level, with an audible beep repeating until it reaches its lowest position (approximately 10 cm). Once the bed reaches 20 cm, it will slow to half speed.
4. When the bed reaches the floor-level position, store the handset in a safe place.
5. To raise the bed from the floor-level position, press button 7.

11. Length Adjustment -----



WARNING

Do not extend the bed while a patient is using it.

Do not install leg extensions when a patient is using the bed.

The Contesa bed can be extended at the foot end. Refer to Section 15 for the appropriate length setting for the mattress being used.

To extend the bed:

1. Remove the Footboard from the bed.
2. Remove the Footboard brackets from the bed.
3. Fit the extended Footboard Brackets to the bed.
4. Refit the Footboard to the bed.

Ensure the mattress size fitted to the bed with an extension is suitable for the length of bed.

12. Legrest level adjustments -----

The Legrest can be manually adjusted to bring the Legrest platform to the horizontal position see Figure 12.1

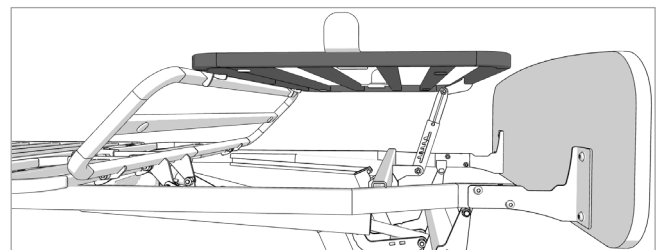


Figure 12.1

Using the ratchet mechanism manually lift the footboard end of the Legrest to achieve the desired angle. As shown in Figure 12.2

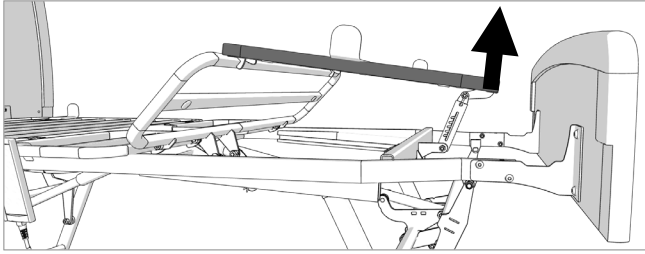


Figure 12.2

To return to original position lift the mechanism to full height then lower the leg rest ratchet to its original position.

13. Using the Castor Brakes -----

Care **MUST** be taken to make sure the castor brakes are always locked when the bed is in use, being assembled, or dismantled, so that the bed does not move accidentally.

Standard castor brake

1. To lock the castor, press or step onto the lower part of the brake lever as indicated in Figure 13.1 until the lever locates in the new position.

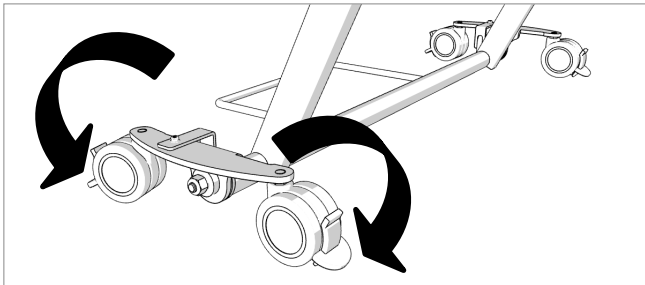


Figure 13.1

2. To release the brake, press or kick the upper part of the brake lever as indicated in Figure 13.2 until the lever disengages.

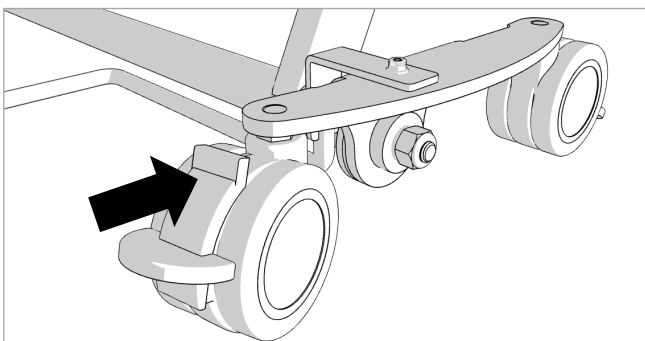


Figure 13.2

14. Functionality Check -----



WARNING

A functionality check **MUST** be carried out by suitably trained and qualified personnel. Check for obstructions around, above, and below the bed frame, and position the bed so that it can operate through the full height range without any risk of obstruction or entrapment.

Always engage the brakes when the bed is stationary or left unattended.

Using the handset, test all bed functions and check all cables to ensure they are kept clear of crushing.

Refer to Section 9 - Bed Controls and Indicators:

1. Raise the bed to full height (button 7)
2. Lower the bed to the floor-level position (button 8).
3. Raise the Backrest using button 1 and lower the Backrest using button 2.
4. Raise the Legrest using button 3 and lower the Legrest using button 4.
5. Check the Reverse Trendelenburg function (button 9).
6. Check the Trendelenburg function (button 8 & 10 together).
7. Check the chair position function (button 5)
8. Check the correct function of the castors and brake control.

15. Mattress Selection -----

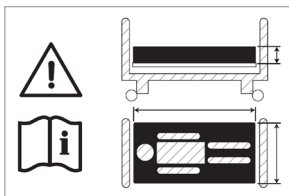


WARNING

Incompatible mattresses can create hazards and entrapment risks. Read the instructions for use carefully.

When a specialty mattress or mattress overlay is used, and the distance from the top of the uncompressed mattress to the top of the siderail, if fitted, is less than 220 mm (8.7 in), a risk assessment **MUST** be performed to ensure equivalent safety.

Bed extension **MUST** be carried out by suitably trained and qualified personnel.



Please contact Accora for compatible mattresses.

Incompatible mattresses can create hazards and entrapment risks.

All mattresses **MUST** be fitted and used in accordance with the mattress manufacturer's or supplier's instructions.

If using a length extension, a Mattress Foam extension **MUST** be fitted at the foot end of the bed.

Mattress size	Length setting (See section 11)
80in x 36in Standard length / standard width	Standard setting at foot end
84in x 36in Extended length / standard width	Extended setting at foot end
80in x 42in Standard length / extended width	Standard setting at foot end
84in x 42in Extended length / extended width	Extended setting at foot end

16. Siderail Selection -----



WARNING

Only use side rails that are compatible with this bed, as supplied by Accora. Incompatible side rails can create hazards and entrapment risks. A risk assessment **MUST** be performed prior to the use of side rails.

Before fitting or using any siderails you **MUST** refer to their respective instruction manuals.

Siderails and the bed lever cannot be fitted to the bed at the same time.

17. Moving and Repositioning -----



WARNING

Moving or repositioning **MUST** be carried out by suitably trained and qualified personnel. All functions **MUST** be tested and approved by a competent person after moving or repositioning.

Do not move the bed when the power supply is plugged into the mains supply socket. When moving or repositioning the bed, disconnect the power supply, secure the power cable on the bed, and do not allow cable loops to get snagged or caught.

Take care when moving the bed over door thresholds.

1. Ensure the bed is at its highest position and the mattress platforms are flat (refer to Section 9).
2. Disconnect the power supply cable.
3. Secure the handset, power supply and all cables to prevent damage.
4. Unlock the castors (See Section 13 Using the Castor Brakes) and move the bed as required.
5. When the bed has been moved or repositioned, engage the brakes.
6. Reconnect the power supply cable and perform full functionality check as described in Section 14.

18. Cable Routing for Mattress Pump ----



WARNING

When fitting accessories with a power cable to Contesa bed, disconnect it from the mains power supply. Careful consideration needs to be given to the cable route to ensure functionality is not compromised by crushing or shearing of cables from the bed mechanism.

Any fitting requirements of the mattress **MUST** be followed to ensure compatibility with Contesa bed. Fitting **MUST** be carried out by a competent person, and all bed functions **MUST** be tested through a full cycle by a competent person after fitting the accessory.

All mattresses **MUST** be fitted and used in accordance with the mattress manufacturer or supplier's instructions.

19. Cleaning and Disinfection -----



WARNING

The bed **MUST** be disconnected from the power supply when being cleaned or disinfected.

All functions **MUST** be tested and approved by a competent person after cleaning or disinfection.

The bed **MUST** be cleaned and disinfected before re-using the bed for a different patient.

Cleaning Information

Cleaning **MUST** be carried out at regular intervals as determined by the facility. The bed **MUST** be cleaned between patients.

It is expected that cleaning the bed as described will take 15-30 minutes.

To disinfect the bed, only use detergents designed for use in healthcare. Do not use abrasives, scourers or other materials that could damage the coating. Do not use corrosives, caustics or strong acids. Do not use detergents that could alter the structure or behaviour of the plastics (petrol etc.).

Clean by wiping with a damp cloth.

Accora cannot be liable for any damage or risk of damage if inappropriate cleaning or disinfectant agents are used.

Cleaning Procedure

1. Remove all accessories, mattress and mattress guides etc.
2. Adjust the mattress platform to the highest position and adjust the position of the backrest and Legrest to provide access for cleaning all the platform parts.
3. Disconnect the bed from the power supply.
4. Move the bed to where cleaning will take place and engage the braking system.
5. Clean as described in the “Cleaning Information” section above.

20. Troubleshooting -----



WARNING

Troubleshooting **MUST** be carried out by suitably trained and qualified personnel.
Do not attempt to open any electrical part enclosures.
Do not attempt to repair any electrical parts.
All functions **MUST** be tested and approved by a competent person after troubleshooting.

The control box has an indicator light which may be used for troubleshooting. The

indicator light is located underneath the mattress platform, as shown in Figure 20.1 and Figure 20.2

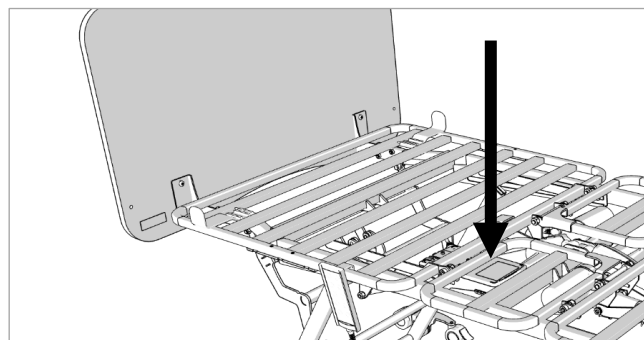


Figure 20.1

The indicator light as shown in Figure 20.2 shows green when the mains power is connected, and orange when a handset button is pressed.

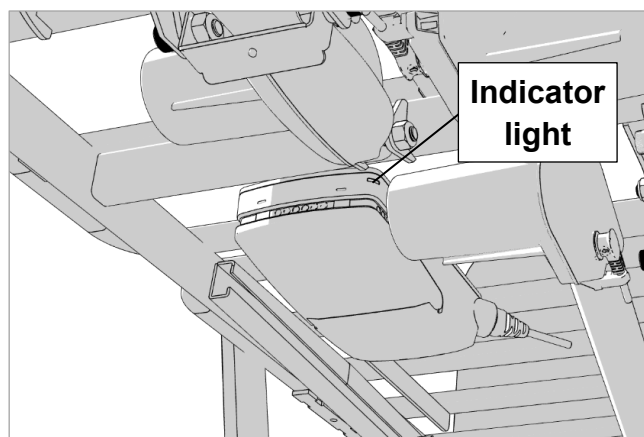


Figure 20.2

Problem	Possible solution(s)
The bed makes a beeping sound when a button is pressed on the handset, but nothing happens.	Unlock the handset as described in section 9.
The bed is not functioning. Control box indicator light is not lit.	Check that the bed is connected to a mains power supply and the socket is switched on. Check mains power supply connection to control box.
The bed is not functioning. The control box indicator light is green but does not change to orange when a handset button is pressed.	Check connection of handset to control box.
The bed does not function as expected.	Reset the bed by pressing and holding buttons 3 and 4 on the patient handset as shown in Section 9 Bed Controls and Indicators until the beeping sound stops. Raise the bed to its full height.

If the bed still does not function correctly, contact Accora for further advice.

21. Storage -----

For problem-free storage we recommend:

1. Disconnect the bed from the electrical supply.
2. Secure the power cable to the bed to prevent any damage to the cable while moving.
3. Remove the accessories.
4. Wrap the bed and accessories or cover them so that the coating and plastic parts are not damaged.
5. Bed should be stored in a temperature between -10°C and $+50^{\circ}\text{C}$, $+50^{\circ}\text{C} = 122^{\circ}\text{F}$
6. Bed should be stored in a relative humidity (non-condensing) between 20% and 80%.

22. Daily Inspection -----

Daily visual inspection is strongly recommended and may be carried out by caregiver, user or another person.

The following checks **MUST** be carried out:

1. The bed operates as per its intended purpose without unexpected noise or motion.
2. There are no signs of abuse or excessive wear.
3. All fixtures and fittings are tight and secure.
4. The bed frame appears stable and secure.
5. All accessories are fitted in line with the accessory manufacturer or accessory supplier's instructions.
6. All castor brakes are in the locked position.
7. All electrical cables (including accessories, e.g., mattress air pump) are secured and routed to prevent damage.
8. The handset lock function works correctly (see Section 9).
9. The bed produces an audible beep when lowering past 40cm in height and reduces to half speed at 20cm in height.
10. The area around, above, and below the bed is clear of possible obstructions.

11. There is no risk of entrapment or patient injury.

12. No electrical cables are pinched, crushed, or damaged in any way.

If any damage, performance issue or cause for concern is noted during this inspection the bed should be disconnected from the power supply immediately, withdrawn from service and appropriate steps should be taken.

23. General Maintenance -----



WARNING

Maintenance **MUST** be carried out by suitably trained and qualified personnel.

All functions **MUST** be tested and approved after maintenance by suitably trained and qualified personnel.

Only power supply supplied with bed may be used.

Do not carry out maintenance with service user or patient on the bed.

The power supply cord may be replaced by suitably trained and qualified personnel. Ensure that the replacement power supply cord is attached to the bed frame in the same way as the original power supply cord. Operate the bed through all its functions to ensure the power supply cord is not trapped in the mechanism.

For information on service and repair of the Contesa bed, refer to the service manual, SER-FL8-001EN. Repairs to the bed **MUST** be carried out by suitably trained and qualified personnel.

24. Guarantee -----

The Contesa bed has a warranty period of 2 years on the electrical components and accessories, and 10 years on the frame.

25. Disposal-----

In the event of the disposal of materials from the bed, end-of-life parts **MUST** be disposed of in accordance with current environmental regulations.

26. EMC Statement -----

Guidance and manufacturer's declaration-electromagnetic emissions		
<p>The bed is intended for use in the electromagnetic environment specified below.</p> <p>The customer or the user of the bed should assure that it is used in such an environment.</p>		
Emission test	Compliance	Electromagnetic environment-guidance
RF emissions CISPR 11	Group 1	<p>The bed uses RF energy only for its internal function. Therefore, its RF emissions are very low and are not likely to cause any interference in nearby electronic equipment.</p> <p>The bed is suitable for use in all establishments, including domestic establishments and those directly connected to the public low-voltage power supply network that supplies buildings used for domestic purposes.</p>
RF emissions CISPR 11	Class B	
Harmonic emissions IEC 61000-3-2	Class A	
Voltage fluctuations / Flicker emissions IEC 61000-3-3	Compliance	

Guidance and manufacturer's declaration-electromagnetic immunity

The bed is intended for use in the electromagnetic environment specified below.

The customer or the user of the bed should assure that it is used in such an environment.


Immunity test	IEC 60601 test level	Compliance level	Electromagnetic environment-guidance
Electrostatic discharge (ESD) IEC 61000-4-2:2009	± 8 kV contact ± 2, 4, 8, 15 kV air	± 6 kV contact ± 8 kV air	Floors should be wood, concrete or ceramic tile. If floors are covered with synthetic material, the relative humidity should be at least 30%
Electrical fast transient/burst IEC 61000-4-4:2012	± 2kV for power supply lines ± 1kV for input/output lines	± 2kV for power supply lines Not applicable	Mains power quality should be that of a typical commercial or hospital environment.
Surge IEC 61000-4-5:2006	± 0.5, 1kV line(s) to line(s) ± 0.5, 1.0, 2kV line(s) to earth	± 1kV differential mode Not applicable	Mains power quality should be that of a typical commercial or hospital environment.
Voltage Dips, short interruptions and voltage variations on power supply input lines IEC 61000-4-11:2017	<5% UT(>95% dip in UT) for 0,5 cycle 40% UT(60% dip in UT) for 5 cycles 70% UT(30% dip in UT) for 25 cycles <5% UT(>95% dip in UT) for 5 s	<5% UT(>95% dip in UT) for 0,5 cycle 40% UT(60% dip in UT) for 5 cycles 70% UT(30% dip in UT) for 25 cycles <5% UT(>95% dip in UT) for 5 s	Mains power quality should be that of a typical commercial or hospital environment. If the user of the bed requires continued operation during power mains interruptions, it is recommended that the bed be powered from an uninterruptible power supply or a battery.
Power frequency (50, 60 Hz) magnetic field IEC 61000-4-8:2012	3 A/m	3 A/m	The bed power frequency magnetic fields should be at levels characteristic of a typical location in a typical commercial or hospital environment.

NOTE UT is the AC. mains voltage prior to application of the test level.

Guidance and manufacturer's declaration-electromagnetic immunity

The bed is intended for use in the electromagnetic environment specified below.

The customer or the user of the bed should assure that is used in such and environment.

Immunity test	IEC 60601 test level	Compliance level	Electromagnetic environment-guidance
Conducted RF IEC 61000-4-6:2014	3 Vrms 150 KHz to 80 MHz	3 Vrms	Portable and mobile RF communications equipment should be used no closer to any part of the bed including cables, than the recommended separation distance calculated from the equation applicable to the frequency of the transmitter. Recommended separation distance: $d = 1,2 \sqrt{P}$ $d = 1,2 \sqrt{P}$ 80MHz to 800 MHz $d = 2,3 \sqrt{P}$ 800MHz to 2,5 GHz
Radiated RF IEC 61000-4-3:2006 ± A1:2008 ± A2:2010	80MHz – 2.7GHz 10V/m (1kHz 80%) 385 MHz 27 V/m PM 18 Hz 450 MHz 28 V/m FM 1 kHz sine 710 MHz 9 V/m PM 217 Hz 745 MHz 9 V/m PM 217 Hz 780 MHz 9 V/m PM 217 Hz 810 MHz 28 V/m PM 18 Hz 870 MHz 28 V/m PM 18 Hz 930 MHz 28 V/m PM 18 Hz 1720MHz 28 V/m PM 217 Hz 1845 MHz 28 V/m PM 217 Hz 1970 MHz 28 V/m PM 217 Hz 2450 MHz 28 V/m PM 217 Hz 5240 MHz 9 V/m PM 217 Hz 5500 MHz 9 V/m PM 217 Hz 5785 MHz 9 V/m PM 217 Hz	3 V/m	Where P is the maximum output power rating of the transmitter in watts (W) according to the transmitter manufacturer and d is the recommended separation distance in metres (m). Field strengths from fixed RF transmitters, as determined by an electromagnetic site survey, should be less than the compliance level in each frequency range. Interference may occur in the vicinity of equipment marked with the following symbol: 

NOTE1 At 80 MHz and 800 MHz, the higher frequency range applies.

NOTE2 These guidelines may not apply in all situations. Electromagnetic propagation is affected by absorption and reflection from structures, objects and people.

a	Field strengths from fixed transmitters, such as base stations for radio (cellular/cordless) telephones and land mobile radios, amateur radio, AM and FM radio broadcast and TV broadcast cannot be predicted theoretically with accuracy. To assess the electromagnetic environment due to fixed RF transmitters, an electromagnetic site survey should be considered. If the measured field strength in the location in which the bed is used exceeds the applicable RF compliance level above, the bed should be observed to verify normal operation. If abnormal performance is observed, additional measures may be necessary, such as re-orienting or relocating the bed.
b	Over the frequency range 150 kHz to 80 MHz, field strengths should be less than 3 V/m.

Recommended separation distance between portable and mobile RF communications equipment and the bed.

The bed is intended for use in an electromagnetic environment in which radiated RF disturbances are controlled.

The customer or the user of the bed can help prevent electromagnetic interference by maintaining a minimum distance between portable and mobile RF communications equipment (transmitters) and the bed as recommended below, according to the maximum output power of the communications equipment.







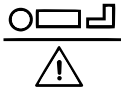
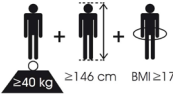



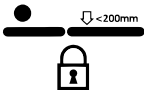

Rated maximum output power of transmitter. W	Separation distance according to frequency of transmitter m		
	150 kHz to 80 MHz $d = 1,2\sqrt{P}$	80 MHz to 800 MHz $d = 1,2\sqrt{P}$	800 MHz to 2,5 GHz $d = 2,3\sqrt{P}$
0,01	0,12	0,12	0,23
0,1	0,38	0,38	0,73
1	1,2	1,2	2,3
10	3,8	3,8	7,3
100	12	12	23

For transmitters rated at a maximum output power not listed above, the recommended separation distance d in metres (m) can be estimated using the equation applicable to the frequency of the transmitter, where p is the maximum output power rating of the transmitter in watts (W) according to the transmitter manufacturer.

NOTE1 At 80 MHz and 800 MHz, the separation distance for the higher frequency range applies.

NOTE2 These guidelines may not apply in all situations. Electromagnetic propagation is affected by absorption and reflection from structures, objects and people.

27. Table of Symbols -----

	General warning
	General caution
	Complies with the European Medical Device Regulation 2017/745
	Complies with the Medical Devices Regulations 2002 as amended
	Model number
	Serial number
	Maximum patient weight
	Physical description of an adult
	Manufactured date
	Manufacturer
	Medical Device in accordance with EU Medical Device Regulation 2017/745
	Floor-Level function warning
	Ensure the side rails are compatible with the bed before fitting

	Warning, use compatible mattresses only
	Safe working load (SWL) – Maximum weight the bed can safely carry including the patient, mattress and accessories fitted
	Refer to instructions for use before using the product
	The BF symbol indicates this product has a degree of protection against electric shock for type BF equipment
	Do not dispose of in household waste
	Degree of protection against electric shock: Class II Double Insulated
	For indoor use only
IP26	Degree of protection against liquid ingress
	EC Representative

28. Contact Details -----

	UK and Rest of World	USA
Address	Accora Ltd. Charter House, Barrington Road Orwell, Cambridge SG8 5QP UK	Accora Inc 6021 University Blvd Suite 530 Ellicott City, MD 21043
Telephone	+44 (0)1223 206100	+1 301-560-2400
Email	info@accora.care	information@accora.care
Website	www.accora.care	

Accora



Accora
Barrington Road
Orwell
Cambridge
SG8 5QP
United Kingdom

T: +44 (0)1223 206100
info@accora.care
www.accora.care

IFU-FL8-001US Rev 01